


**BOURDON TUBE PRESSURE GAUGE
IN CHEMICAL EXECUTION WITHOUT
AND WITH GLYCERINE FILLING
ACCORDING TO EN 837-1**

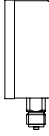
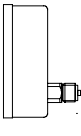


Nominal size NS 100
Connection position radial bottom
or back eccentric
ATEX CE  II 2 GD c IIC T6

For pressure measuring at harsh application conditions in production plants for chemical industry and other comparably industrial lines.

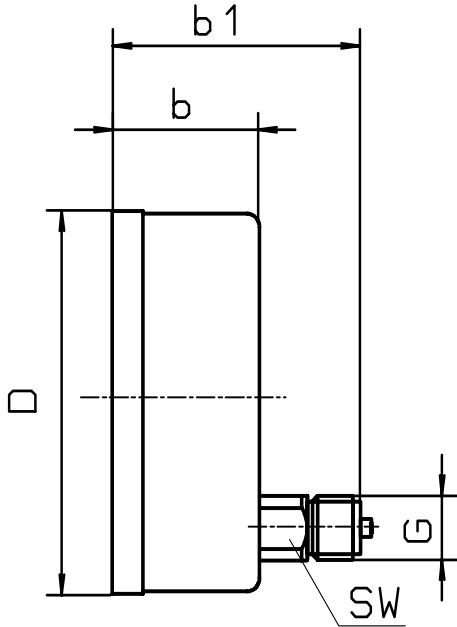
In execution with glycerine filling in case the measuring system would be protect at pulsation pressure and mechanical vibration against attrition.



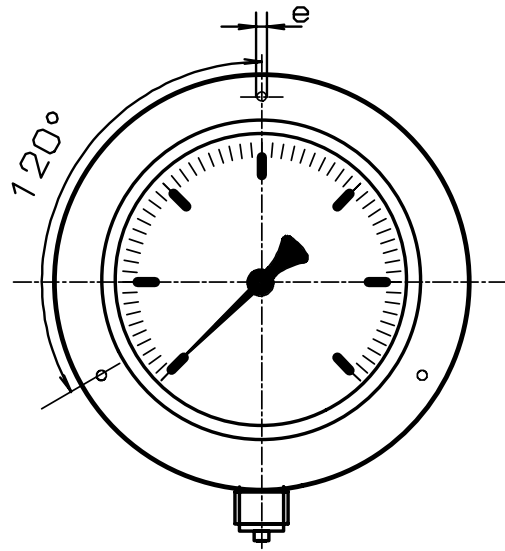
Model	6325	6329	Options
Nominal size	100		
Symbol	fillable execution		Filling silicone oil
			
Accuracy	1,0 according to EN 837-1		accuracy 0,5
Measuring ranges	0...0,6 up to 1600 bar, negative or positive overpressure		MPa, kPa
Applications	Constant load: up to scale end value Alternating load: up to 0,9-fold scale end value Short time: 1,3-fold overload		1,5- up to 2-fold
Case	Stainless steel, 1.4301 (with Blow out)		
Ring	Stainless steel, 1.4301, bayonet ring		Flange back or front Bow fastening
Window	Safety glass		
Dial	Al white, scale and letters black		
Pointer	Al black		Max value pointer, mark pointer
Movement	Stainless steel		
Measuring part	Stainless steel 316L (C-bourdon tube up to 40 bar, screwing tube from 60 bar)		Monel
Pressure connection	Stainless steel 316L		Monel
Connection position	radial bottom	eccentric back	
Connection thread	G 1/2 B, M20x1,5, 1/2 NPT		others on request
Temperatures	Media: -20°C up to 100°C, Ambient: -25°C up to 60°C		200°C
Protection kind	IP 54 (filled IP 65) according to EN 60529/IEC 529		
Spigot			dmr. 0,4; dmr. 0,8
Weight approx.	0,6 kg	0,6 kg	

Model 6325, 6329

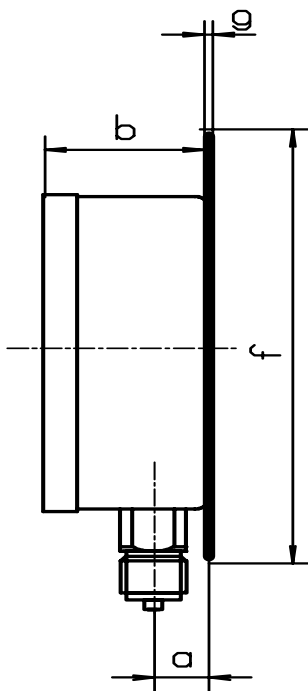
Model	Dimensions in mm										
	NS	a	b	b1	D	G	e	f	g	h	sw
6325	100	15	49	-	101	G 1/2 B	4,8	132	2	6	22
6329	100	-	49	85,5	101	G 1/2 B	4,8	132	2	6	22



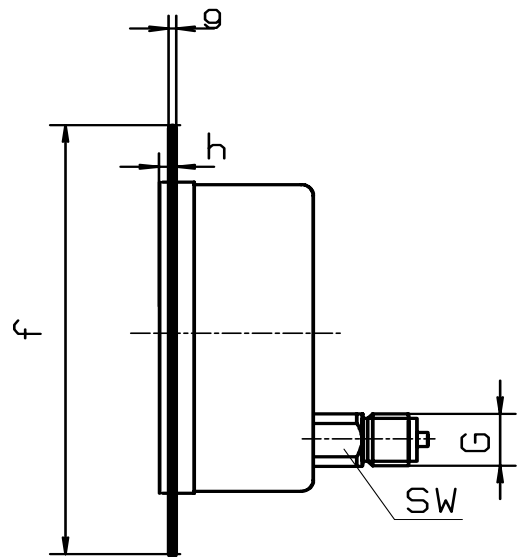
Case dimensions



Hole dimensions for frontflange



Flange back



Flange front