

**Pressure gauges with diaphragm  
for the chemical industry**  
with ATEX- approval available



Diameter 100 and 160  
with or without filling

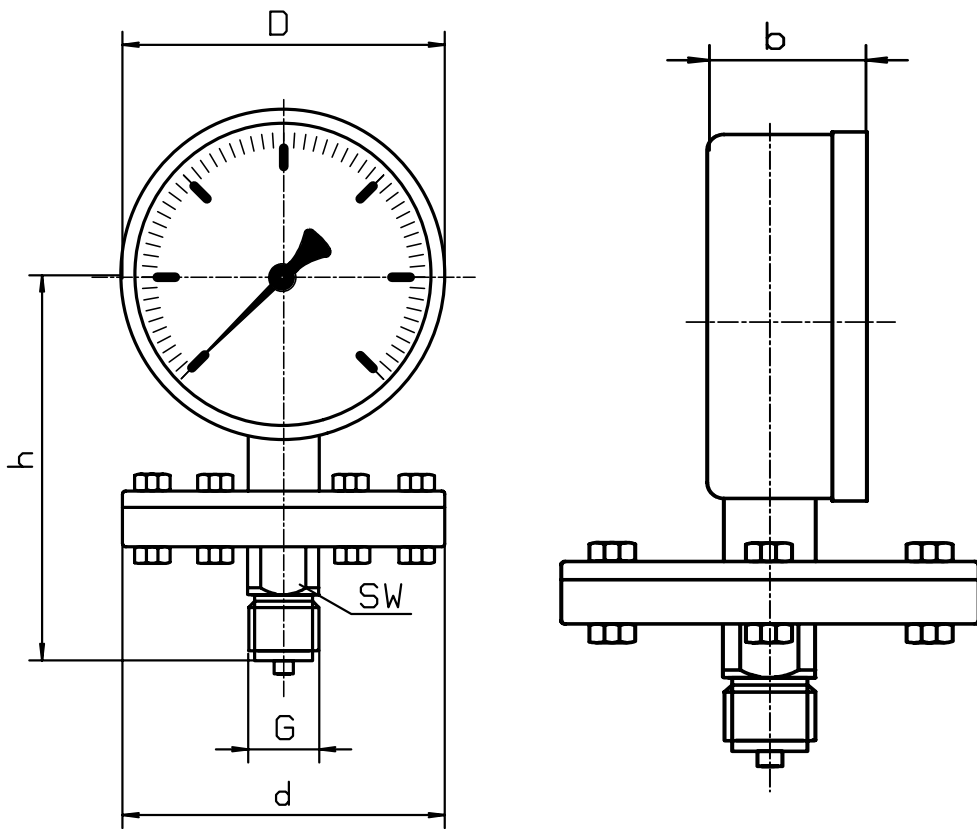
**Also available in safety case !!**

For the exceptionally stringent demands occurring in service within the chemicals and petrochemicals industries. Open process connections ensure that the gauges are easy to clean even with viscous or crystallising process media, thus guaranteeing process reliability.



Types	6302	6312	6321	6331	options
Diameter	100		160		
Symbol		 glycerine filling		 glycerine filling	Esteroil (silicon free)
Accuracy class	1,6 to EN 837-3				
Ranges	0..16 mbar up to 0...250 mbar: flange dmr. 160 mm 0...0,4 bar...0...40 bar: Flange dmr. 100 mm plus all corresp. ranges for neg. or neg. and pos. overpressure				MPa, kPa
Applications	constant load: up to the end of scale value alternating load: up to 0.9 x end of scale value short time: 1.3 x overload capacity				underpressure proof to -1bar
Overpressure safety	5 x end of the scale value max. 40 bar				overload: 10xend of scale value: max. 40 bar
Case	stainless steel, with pressure relief opening in the back of case				
Ring	Bayonet ring, stainless steel 1.4301				
Window	laminated safety glass				
Dial	Al white, Scale and printing black				dual scale
Pointer	Al black				
Movement	stainless steel				
Measuring element	elastic, stainless steel 1.4571/Duratherm 600				
Upper flange	stainless steel				
Connection	G 1/2 B, M20x1,5				others on request
Temperatures	Medium: up to 100°C, ambient -20°C up to 60°C				
Protection	IP 54 (with filling: IP 65) acc. to EN 60529/IEC 529				
Seal to	pressure chamber NBR (Perbunan)				Metal bellows (stainless st)
Open process conn/ components in contact with medium					from DIN to DN 15 - DN 80/ PTFE, Hastelloy, Monel, Nickel, Tantalum, Titanium

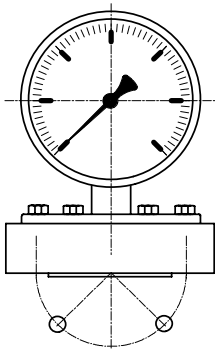
**Types 6302, 6312, 6321, 6331**



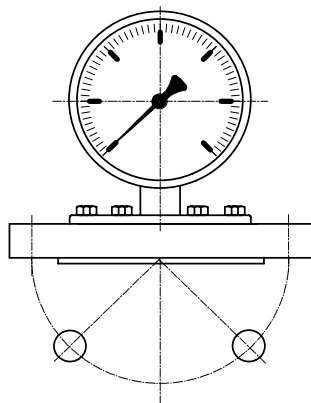
Dia	Types	bar	Dimensions in mm							Weight (kg)	
			d	a	b	D	G	h	SW	unfilled	filled
100	6302	$\leq 0,25$	160	15,5	49	101	G1/2B	127	22	3,4	3,9
160	6321	$\leq 0,25$	160	15,5	49	161	G1/2B	156	22	4,3	5,2
100	6312	$\geq 0,4$	100	15,5	49	101	G1/2B	127	22	2,1	2,6
160	6331	$\geq 0,4$	100	15,5	49	161	G1/2B	156	22	3	3,9

### Options with process connection

DIN DN 25



DIN DN 50



Drawing of dimension: Sheet 1.29, Page 4