

# Heavy Duty pressure gauges with capsule element acc. to DIN EN 837-3



Diameter 63  
connection position radial bottom,  
or central back

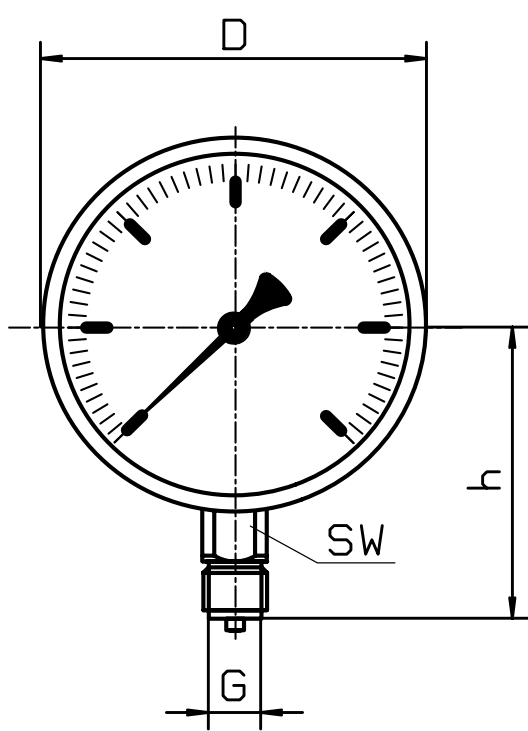


For measuring small positive / negative gauge pressures in gaseous, dry and non aggressive media.

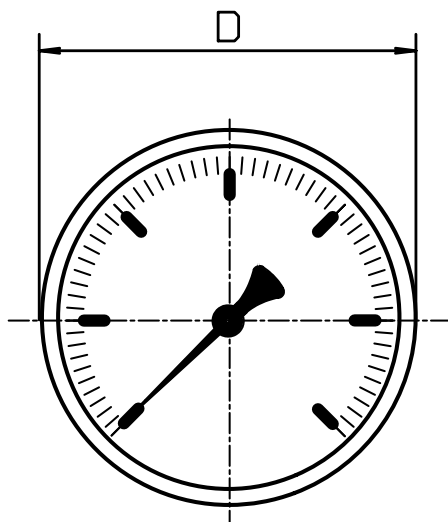
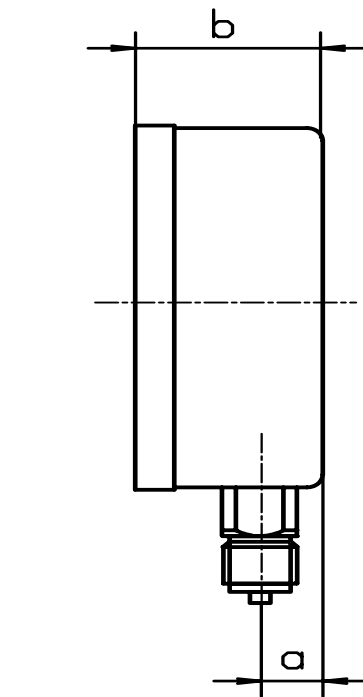
| Types             | 5531   | 5541         | Options  |
|-------------------|--|--------------|--|
| Diameter          | 63   |              |  |
| Symbol            |  |              | with Glycerine<br>from 160 mbar                      |
| Accuracy class    | 1,6  |              |  |
| Ranges            | 0...25 mbar up to 0...600 mbar<br>negative and / or positive overpressure  |              | kPa  |
| Applications      | constant load: up to the end of scale value<br>alternating load: up to 0,9 x end of scale value<br>short time: 1,3 x overload capacity |              | overload protection up to<br>10 x end of scale value |
| Case              | stainless steel  |              |  |
| Ring              | without  |              | triangular front ring                                |
| Window            | plexiglass   |              |  |
| Dial              | Al white, Scale and printing black   |              | dual scale   |
| Pointer           | Al black   |              | marker pointer                                       |
| Movement          | CuZn-alloy with zero point adjustment  |              |  |
| Measuring element | Cu-alloy   |              |  |
| Pressure connect. | CuZn-alloy   |              |  |
| Pressure position | radial bottom  | central back |  |
| Pressure thread   | G 1/4 B, M12x1,5   |              | others on request                                    |
| Temperatures      | Medium: -20°C up to 80°C, ambient -20°C up to 60°C   |              |  |
| Temp. Drift       | 0,3%/10K deviation of normal temperature 20°C  |              |  |
| Protection        | IP 43 acc. to EN 60529/IEC 529   |              |  |
| Orifice           |  |              | dmr. 0,3; dmr. 0,4; dmr. 0,8                         |
| Approx. Weight    | 0,3 kg   | 0,3 kg       |  |

Types 5531, 5541

| Types | Dimensions in mm |    |    |    |    |         |    |    |
|-------|------------------|----|----|----|----|---------|----|----|
|       | NG               | a  | b  | b1 | D  | G       | h  | sw |
| 5531  | 63               | 10 | 35 | -  | 62 | G 1/4 B | 53 | 14 |
| 5541  | 63               | -  | 35 | 58 | 62 | G 1/4 B | -  | 14 |



Types 5531



Types 5541

