

# Heavy Duty pressure gauges with capsule element acc. to DIN EN 837-3



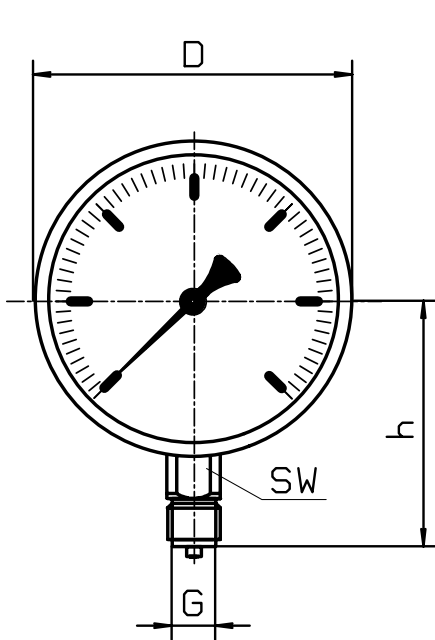
Diameter 100 and 160  
Connection position radial bottom,  
or central back



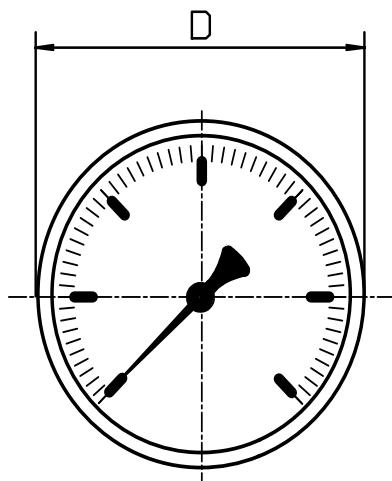
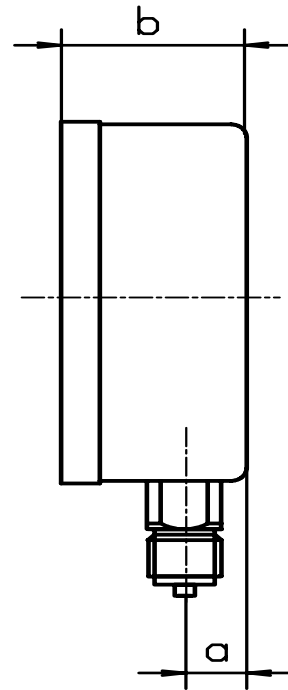
For measuring small positive / negative gauge pressures in gaseous, dry and non aggressive media.

Types	5631	5641	5651	5661	Options
Diameter	100		160		
Symbol					with Glycerine from 160 mbar
Accuracy class	1,6				1,0 (NG 100); 0,6 (NG 160)
Ranges	0..4 mbar up to 0...600 mbar negative and / or positive overpressure		0...2,5 mbar up to 600 mbar		2,5 mbar in NG 100 kPa
Applications	Constant load: up to the end of scale value Alternating load: up to 0,9 x end of scale value Short time: 1,3 x overload capacity				
Case	Stainless steel 0/4-0/16 mbar steel black		steel, black or stainless steel		
Ring	with bayonet ring				
Window	Flat instrument glass				
Dial	Al white, Scale and printing black				Dual scale
Pointer	Al black acc. to DIN 16099				Marker pointer
Movement	CuZn-alloy, with zero point adjustment				
Measuring element	Cu-alloy				
Pressure connection	CuZn-alloy				
Pressure position	radial bottom	central back	radial bottom	central back	
Pressure thread	G 1/2 B, M20x1,5				others on request
Temperatures	Medium: -20°C up to 80°C, ambient -20°C up to 60°C				
Temp. Drift	0,3%/10K deviation of normal temperature 20°C				
Protection	IP 54 acc. to EN 60529/IEC 529				
Orifice					dmr. 0,3; dmr. 0,4; dmr. 0,8
Approx. Weight	0,6 kg	0,6 kg	1,1 kg	1,1 kg	

Types	Dimensions in mm							
	NG	a	b	b1	D	G	h	sw
5631	100	15	49	-	101	G 1/2 B	85	22
5641	100	-	49	85,5	101	G 1/2 B	-	22
5651	160	21	60	-	160	G 1/2 B	118	22
5661	160	21	60	92	160	G 1/2 B	-	22



Types 5631/5651



Types 5641/5661

