

**Pressure gauges with Bourdon tube for
Chemical industry with magnetic snap-action
Contacts or inductive alarm contacts
according to EN 837-1**



Diameter 100
pressure position radial bottom
or back eccentric,
with or without dampening



Contact pressure gauges with electrical alarm contacts are suitable for controlling or regulating process sequences. The contacts open or close electrical circuits in relation to the position of the pointer on the pressure gauge.

The materials used make the gauges suitable for chemically aggressive gases or liquids, although these should not be too viscous or susceptible to crystallization.

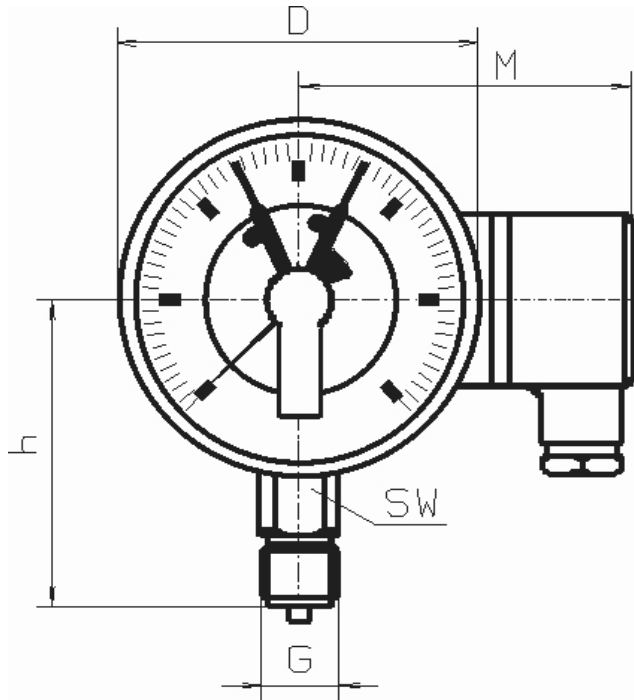
Types	3512	3612	3712	3812	options
Diameter	100				
Symbol					in safety version with other electrical attachment
Filling		Silicone oil		Silicone oil	Esteroil (silicon free)
Numbers of contacts	from 1 bar each 2 magnetic snap-action and inductive alarm contacts at 1,6 bar 2 magnetic snap-action or 3 inductive alarm contacts- from 4 bar 4 magnetic snap-action contacts				
Cable connection	PG 13,5, socket right side				
Accuracy class	<= 1,6 bar: class 1,6; > 1,6 bar: class 1,0 to EN 837-1				
Ranges	0...1 up to 0...1600 bar negative or positive and negative and positive overpressure				MPa, kPa
Applications	Constant load: up to the end of scale value Alternating load: up to 0,9 x end of scale value Short time: 1,3 x overload capacity				up to 2 x
Case	Stainless steel, 1.4301				
Ring	Stainless steel, 1.4301				
Window	Plastic, Polycarbonat				
Dial	Al white, Scale and printing black				dual scale
Pointer	Al black				
Movement	Stainless steel				
Measuring element	Stainless steel 1.4571(C-Bourdon tube up to 40 bar, helical tube above 60 bar)				
Pressure connection	Stainless steel 1.4571				
Pressure position	radial bottom		eccentric back		
Pressure thread	G 1/2 B, M20x1,5				others on request
Temperatures	Medium: -20°C up to 80°C, ambient -25°C up to 60°C				
Temp. Drift	0,3%/10K deviation of normal temperature 20°C				
Protection	IP 43	IP 65	IP 54	IP 65	
Orifice	dmr. 0,3; dmr. 0,4; dmr. 0,8				
Approx. Weight	0,9 kg	1,2 kg	0,9 kg	1,2 kg	

Electrical Details look at the special page, chapter 6!

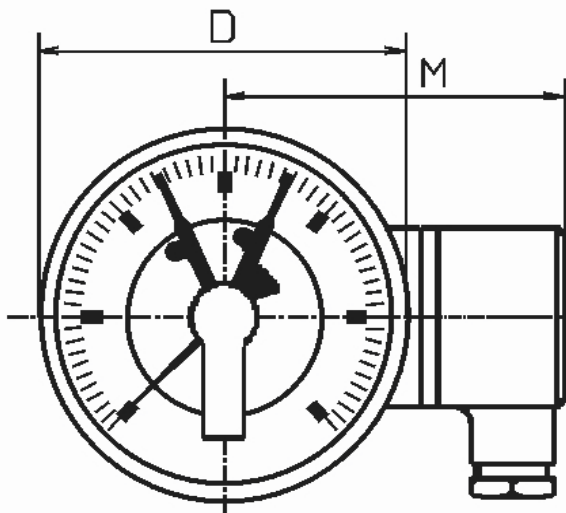
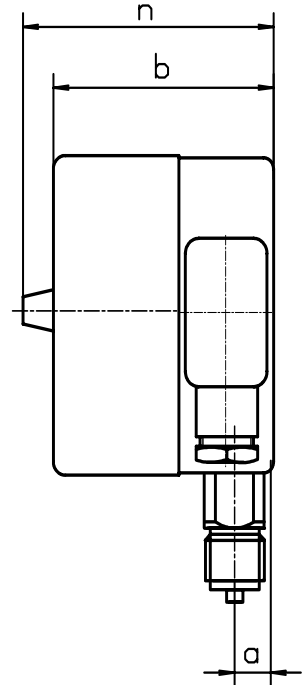
Types 3512, 3612, 3712, 3812

Types	Dimensions in mm									
	NG	a	b	b1	D	G	h	M	n	SW
3512/3612	100	15	78	-	100	G 1/2 B	88	88	88	22
3712/3812	100	-	78	113	100	G 1/ B	-	88	88	22

Please note: when ordering give us the contact reaction at increasing pressure!



Types 3512/3612



Types 3712/3812

