

Solenoid Control Valves

These DC electrically actuated valves are designed for pilot operation of the IR relay valve and are approved for applications affected by the U.S. Department of Transportation safety codes.

Specifications

- Valve Type: Three-way normally closed C_v Factor: 0.21
- Power Consumption: 25 watts
- Operating Pressure Range: 0 to 300 psig (0 to 20.7 bar)
- Proof Pressure: 375 psig (25.9 bar)
- Burst Pressure: 1250 psig (86.2 bar)
- Media: Air, Inert gases, water, light oils, natural gases
- Media Temperature: -4 to 392°F (-20° to 200°C)
- Ambient Temperature: -4 to 248°F (-20° to 120°C)
- Seal Material: Viton

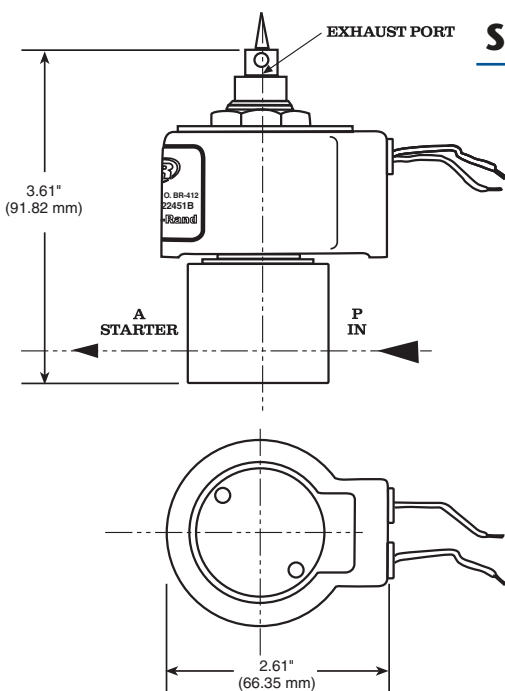


150BMP-2451B

150BMP Solenoid Control Valves

IR Part Number	Thread Size Inlet – Outlet	Voltage (DC)	Weight lb (kg)	Description
150BMP-1051B*	1/4" – 1/4"	12 volt	1.95 (.88)	24" (61 cm) Long wire leads
150BMP-2451B*	1/4" – 1/4"	24 volt	1.95 (.88)	24" (61 cm) Long wire leads
150BMP-6451*	1/4" – 1/4"	64 volt	1.95 (.88)	24" (61 cm) Long wire leads
150BMP-A1051C*	1/4" – 1/4"	12 volt	1.95 (.88)	Pioneer Connector Lead

* Can be mounted on 150BMP-B2451 elbow bracket.



Solenoid Control Valve & Bracket DIMENSIONS

