

**Pressure Transmitter
with internal diaphragm**
also with ATEX approval for Zone 0 and 1
available



Pressure measuring converter with robust and compactly model with high degree accuracy and high degree lifetime.



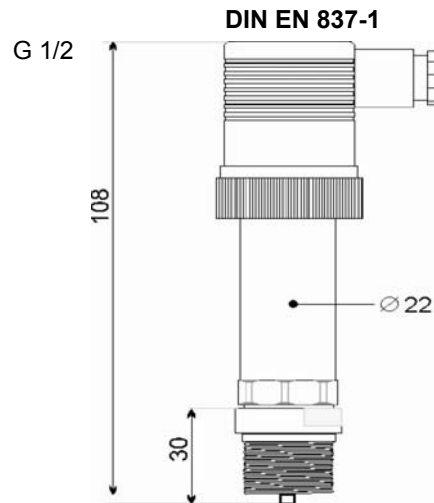
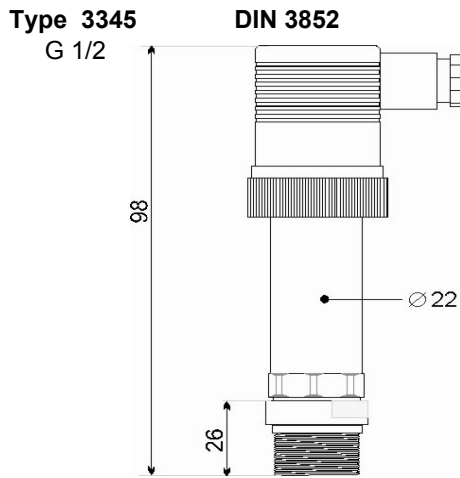
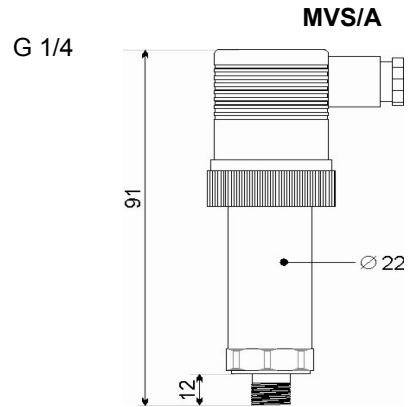
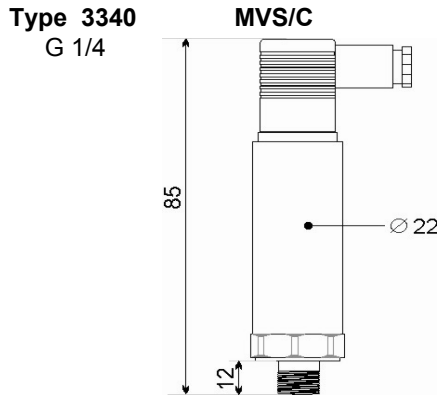
also with ATEX approval available

Application / possible uses:

Hydraulics, air conditioning and heating, test technology, industrial robots, process control, water technology, pneumatics

Model type	3340	3345	Options
Symbol			
Pressure kind	Relative pressure		
Output signal	4 ... 20 mA (2-wire)	0 ... 10 V (3-wire)	others on request
Operating voltage	9 ... 32 VDC		
Recommended max. load resistor	RI	a) (U _b -12 V)/20 mA b) (U _b -9 V)/28 mA c) ≥ 5 kΩ d) ≥ 2,5 kΩ	
Response time (10...90 %) Z	< 1 ms		
Insulating resistance at 50 V	100 M Ω		
Accuracy	± 0,5 % F.S. (RT) Standard		others on request
Measuring ranges	0...1 up to 0...2000 bar		others on request
Sensor element	Stainless steel diaphragm		
Temperature error	< / = +/- 0,3% FSO/10K		
Case	Stainless steel 1.4301		
Pressure connection	G 1/4"		G 1/2 or M20x1,5
Parts with medium contact	CrNiCuNb 17-4 PH - stainless steel, no O-ring, no silicone oil		
Overload range	2 times > 350 bar, 1,5 times > 700 bar, 1,2 times up to 1000 bar		
Bursting pressure	3-times > 350 bar, 2 times > 700 bar, 1,5-times start at 1000 bar		
Electrical connection	Standard design device plug MVS DIN EN 175 301 - 803 BV C		others on request
Protection kind	IP 65 - according to plug system		others on request
Reproducibility %	< 0,1		
Stability per year %	< 0,2 (at reference conditions)		
Electromagnetic compatibility	< 30 dB μ V/m according to DIN EN 55011 + DIN EN 55022 25 V /m according to DIN 61000-4-3		
Ambient temperature	-40...+105°C		
Medium temperature	-40...+125°C		
Storage temperature	-40...+125°C		
Resistance to shock	1 m (free fall on steel plate) Testing according to IEC 68-2-32		
Vibration resistance	20 g (Test according to IEC 68-2-6 and 68-2-36)		others on request
Weight	approx. 90 g		

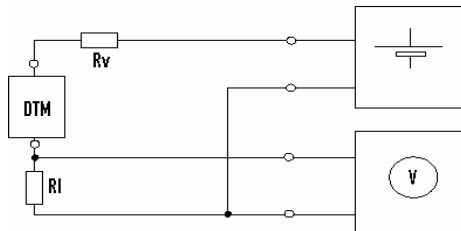
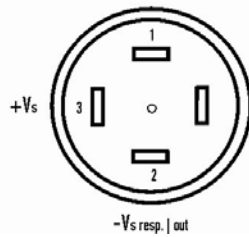
Dimensions:



2-wires

PIN - connection

New PIN connection:
1+ 2(out)

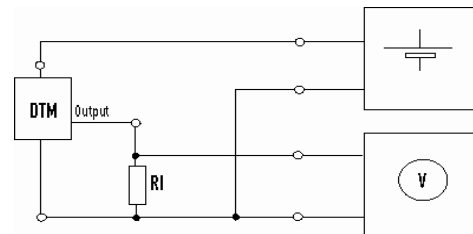
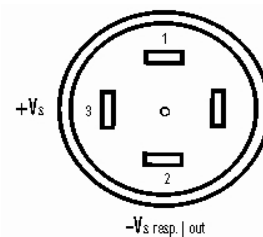


2-wire-power transducer
Stress measurement with measure resistance

3-wire

PIN - connection

New PIN connection:
1+ 3(out) 2-



Pressure transducer with tension exit
Stress measurement at the load resistance